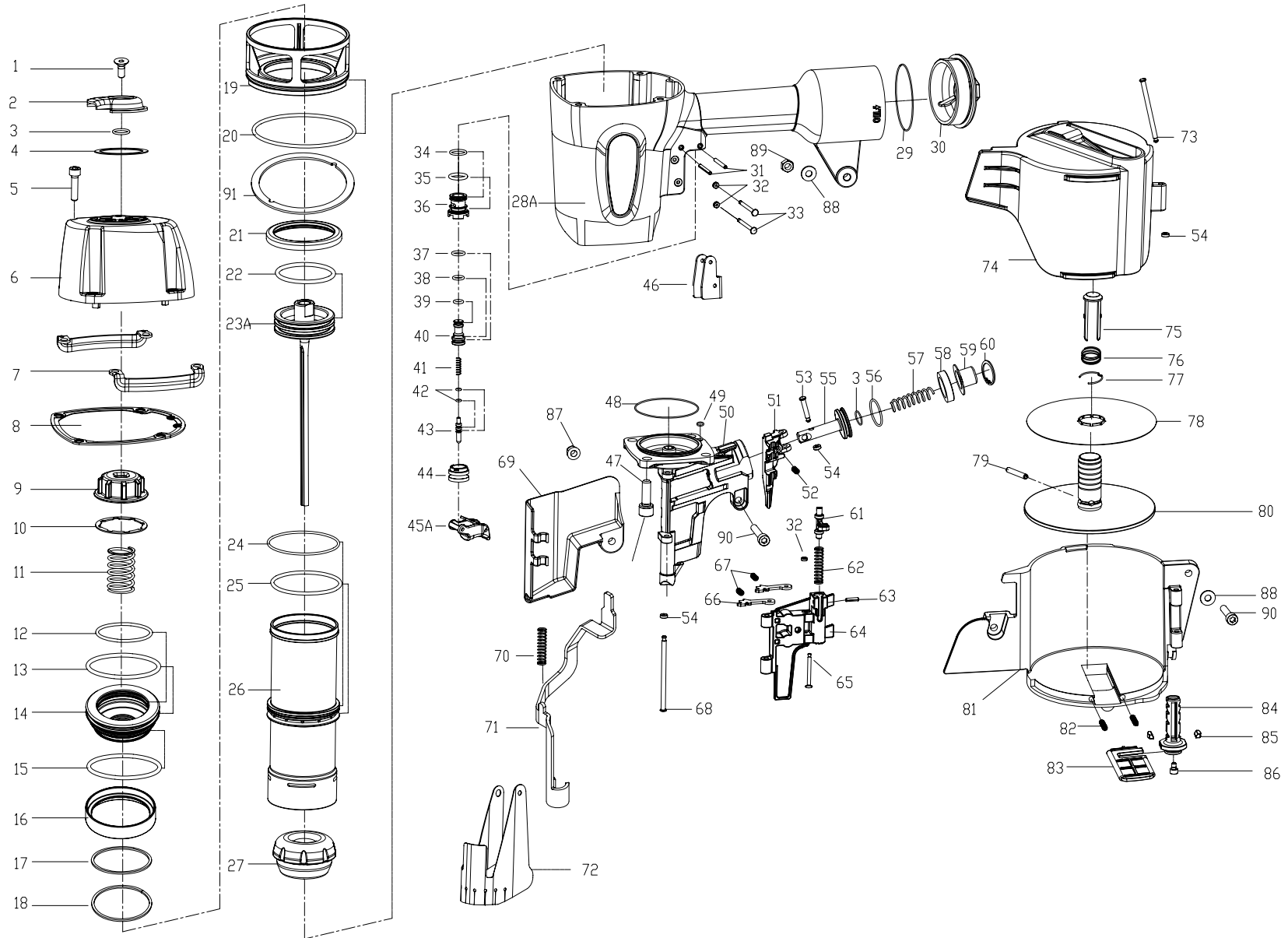


# ANC3390P AERFAST



ANC3390P AERFAST

Item No.	Part No.	Description	Q'ty	Item No.	Part No.	Description	Q'ty
1	30506200766	Hex.Soc.Hd.Bolt	1	51	21221180066	Feed Pawl	1
2	21340010001	Deflector	1	52	21221120001	Spring	1
3	30700004000	O-Ring	2	53	21221170001	Roll Pin	1
4	21220080015	Washer	1	54	30700157000	O-Ring	3
5	30106300866	Hex.Soc.Hd.Bolt	4	55	21221140101	Feed Piston	1
6	212200200XX	Cap	1	56	30700212000	O-Ring	1
7	21340220001	Guide Cover	2	57	21221190001	Feed Spring	1
8	21220131115	Gasket	1	58	21221090017	Feed Piston Bumper	1
9	21220140017	Piston Stopper	1	59	21221160001	Feed Piston Cover	1
10	21220230001	Top Bumper, washer	1	60	32530000001	C-ring	1
11	21220160000	Spring	1	61	20971230266	Lock Shaft	1
12	30700049000	O-Ring	1	62	21341220001	Spring, Lock Shaft	1
13	30700138000	O-Ring	1	63	30803120001	Pin	1
14	21220150000	Piston, head Valve	1	64	21221250266	Nail Guide	1
15	30700177000	O-Ring	1	65	21711210001	Nail Stopper Pin	1
16	21220260000	Piston, head Valve	1	66	21711200001	Nail Stopper	2
17	21220170015	Seal,Piston Head Valve	1	67	21221300001	Spring	2
18	21220280001	Latch	1	68	21221270001	Nail Guide pin	1
19	21220370216	Cylinder Hold Down	1	69	21221550015	Safety Cover	2
20	30700197000	O-Ring	1	70	21751490001	Spring	1
21	20560250017	Seal	1	71	21751510201	Lower Safety Lever	1
22	30700196000	O-Ring	1	72	21221290019	Debris Shield	1
23A	21220462001	Driver Assembly	1set	73	21341780001	Pin	1
24	30700046000	O-Ring	1	74	21221790015	Magazine Cover	1
25	30700074000	O-Ring	1	75	21221830015	Tension Post Bushing(Upper)	1
26	21220350000	Cylinder	1	76	21622330000	Spring	1
27	21220470115	Bumper	1	77	21622920201	Canister	1
28A	212206020XX	Body Assembly	1set	78	21341990000	Plate	1
29	30700118000	O-Ring	1	79	30804160001	Pin	1
30	209407x00xx	End Cap	1	80	21221890115	Nail Holder	1
31	30803240001	Spring Pin	2	81	21221840015	Magazine	1
32	30700078000	Grommet	3	82	21342000001	Spring	2
33	20460890001	Pin Trigger	2	83	21341880015	Adjusting Plate	1
34	30700081000	O-Ring	1	84	21221810115	Adjust Post	1
35	30700079000	O-Ring	1	85	21622450001	Plate, Adjust post	2
36	20750900074	Valve	1	86	32704080166	Screw	1
37	30700071000	O-Ring	1	87	33506000001	Locknut	1
38	30700024000	O-Ring	1	88	30900003001	Flat Wahser	2
39	30700002000	O-Ring	1	89	30606100001	Locknut	1
40	20750910074	Valve Plunger	1	90	30106300166	Hex.Soc.Hd.Bolt	2
41	20770960001	Spring	1	91	21220390001	Washer	1
42	30700080000	O-Ring	2				
43	20770920000	Plunger	1				
44	20770930016	Plunger cap	1				
45A	20750952115	Trigger Assembly	1set				
46	21621540001	Guide,Safety Lever	1				
47	30108250266	Hex.Soc.Hd.Bolt	4				
48	30700177000	O-Ring	1				
49	30700178000	O-Ring	1				
50	21221130166	Nose	1				